

# D|COR Series

## DESIGNED TO FORM

COR 25" SINK SYSTEM FEATURING THE XLERATORsync® HAND DRYER



### Solid Surface Wall-Mount Vanity Features & Benefits

#### SINK BASIN

- 100% solid surface polymer blend
- ADA Compliant
- Channel Drain
- Removable drain box accepts standard drain
- 22" D x 25" W x 28" H with 4" molded integral backsplash
- Neutral colors - easy to design around
- Matte finish for easy maintenance

#### HARDWARE

- Galvanized powder coated steel bracket for wall mounting
- ADA Compliant stainless steel enclosure hides plumbing
- Enclosure tamper resistance, accessible for maintenance

#### FIXTURES

- Condor 1010E electronic touch free faucet
- Elegant Design with anti-vandal features
- Dual power input (battery or transformer)
- XLERATORsync® Hand Dryer
- eHEPA Filtration System standard, proven to remove 99.999% of viruses<sup>1</sup> and 99.97% of potentially present bacteria<sup>2</sup> at 0.3 microns from the airstream.
- Adjustable Sound: 68-78 dB<sub>3</sub>

#### Standards/Certifications

- CSA B45.5/IAPMO Z124 tested and certified annually by an independent research laboratory
- HUD UM Bulletin No. 73a
- NSF 51
- ASTN E84: Class 1
- UL Listed
- eHEPA Filtration tested by LMS Technologies
- MA Plumbing Approved Product

**GOOD DESIGN SOLVES EVERYTHING.**

245 West Central Street / Natick, MA 01760 / 888-D13-SYNC  
D13Group.com / design@D13Group.com

D|13

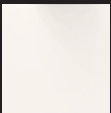
# D|COR Series

## DESIGNED TO FORM

COR 25" SINK SYSTEM FEATURING THE XLERATORsync® HAND DRYER

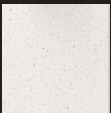


### SINK SOLID COLORS

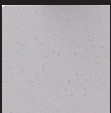


**Solid Color** • Designer White

### SINK PATTERN COLORS



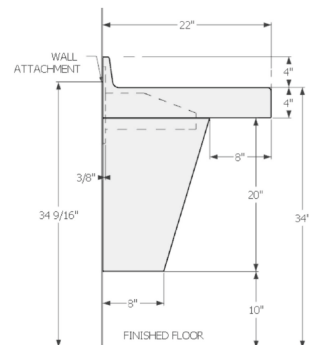
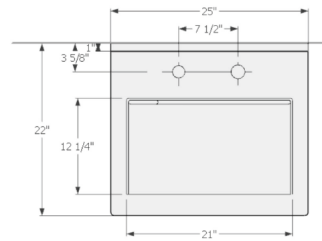
**Pattern Color** • Corinth



**Pattern Color** • Onias

### Technical Information

- Single bowl configuration
- Wall Mount Installation
  - **Optional:** Basin alone can be used on cabinetry
- 22" D x 25" W x 28" H with 4" molded
- Bowl Area:
  - Width: 12-1/4"
  - Length: 21"
  - Depth: 5"



### Warranty

- 3-Year Limited Warranty Sink
- 7-Year Limited Warranty on Hand Dryer
- Manufacturer Warranty on Faucet

**GOOD DESIGN SOLVES EVERYTHING.**

245 West Central Street / Natick, MA 01760 / 888-D13-SYNC  
D13Group.com / design@D13Group.com

D|13